

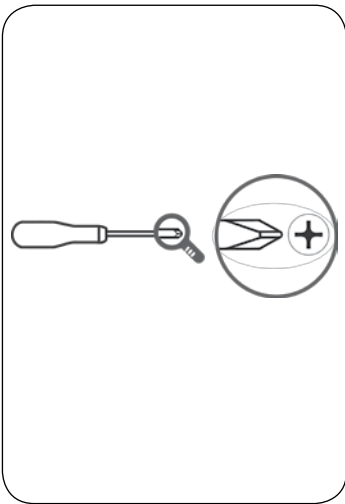
QUICK START GUIDE



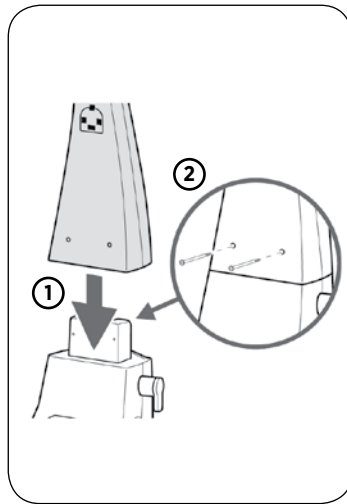
Assembly Instructions

WARNING

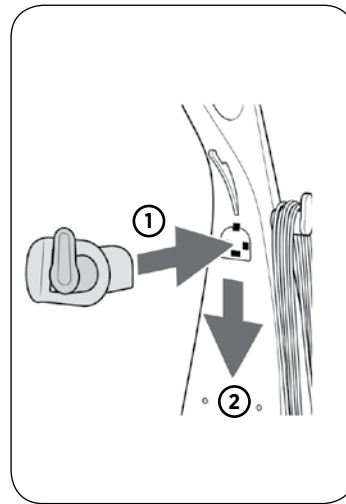
Refer to the enclosed user guide for complete instructions and important safety notices.



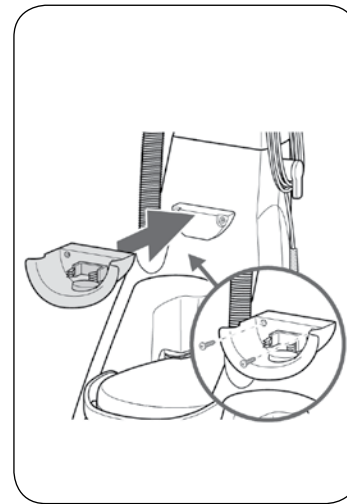
1. The only tool you will need to assemble your deep cleaner is a Phillips screwdriver.



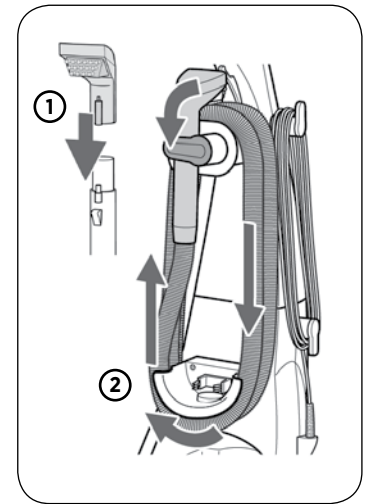
2. Slide Upper Handle (a.) assembly onto lower body and secure with two long screws. These screws can be found taped to the handle.



3. Attach the Upper Hose Rack (d.) to the back of upper handle by pushing into open slots and sliding down until it snaps into place.



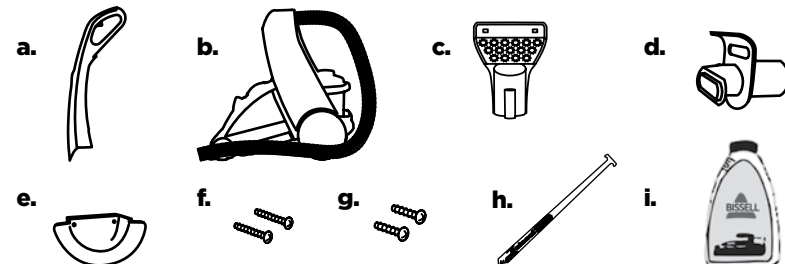
4. Attach Lower Hose Rack (e.) by sliding it in place on the lower body assembly and securing it with two short screws.



5. Attach Tough Stain tool to end of hose. Then wrap flex hose around hose rack and secure it into notched out holder as shown.

PARTS INCLUDED

- | | | |
|------------------------|--|-------------------------------|
| a. Upper Handle | e. Lower Hose Rack | h. Nozzle Clean Out Tool |
| b. Base | f. Long Screws (2)
(taped to Upper Handle) | i. Trial-Size BISSELL Formula |
| c. 3" Tough Stain Tool | g. Short Screws (2)
(taped to Upper Handle) | |
| d. Upper Hose Rack | | |



Product Features

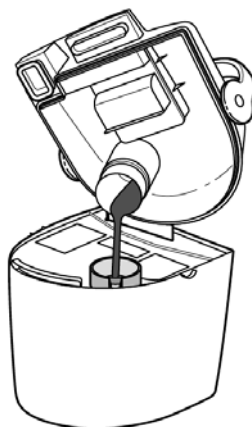
1 2-in-1 Tank™

Our 2-in-1 Tank™ system is designed with a heavy duty bladder inside. As you clean, the clean water in the bladder will mix with the cleaning formula. Dirty water will be pulled out of your carpets and collect around the outside of the bladder, keeping the clean and dirty water separate. This allows for maximum space, while still only carrying one tank to and from the sink.



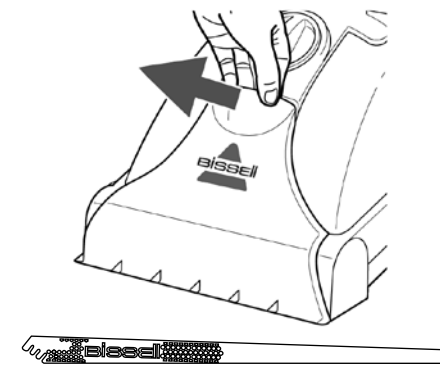
2 Measuring Cup

Your deep cleaner is equipped with a measuring cup for adding the proper amount of formula to the 2-in-1 tank. For convenience, the measuring cup is built into the lid.



3 Removable Nozzle

Cleaning your machine after you're done has never been easier! With the machine turned off and unplugged, this nozzle pops off for rinsing in the sink. Use the Nozzle Clean Out Tool also! Slide the tool into the slot that touches the floor. Work the tool to remove debris that may be caught in the nozzle.



Other Deep Cleaning Formulas

Boost Your **DEEP CLEAN**

These formulas shown are not required to use your deep cleaner. You can add these to your formula for different cleaning needs.



» **BISSELL® OXY Boost**
Life makes messes, especially on carpet. OXY Boost removes those stains from your life - permanently. Tough stains are no match for this oxygen formula.



» **BISSELL® Renew Boost**
Maximize your carpet cleaner's performance with BISSELL Renew Boost carpet cleaning formula Enhancer. Renew Boost revives carpets to look their best.