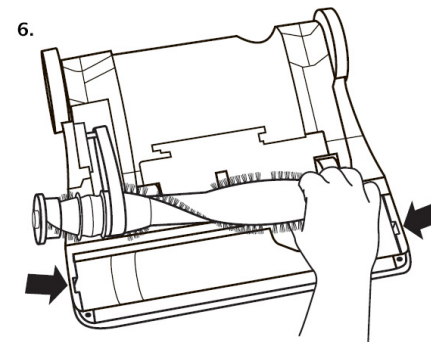
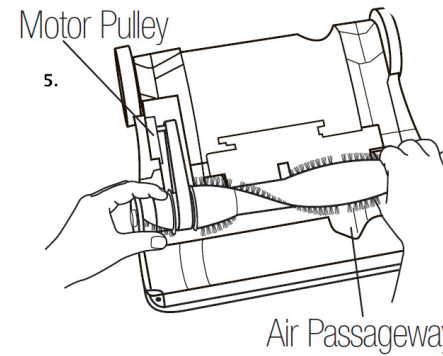
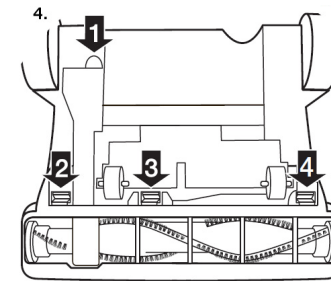
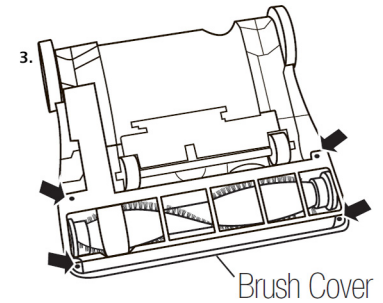




## How to Replace Your Vacuum's Drive Belt

BISSELL Part # 32074

1. Unplug the vacuum from electrical outlet.
2. Place handle in the Low position and turn vacuum cleaner over so bottom side is up.
3. **For standard models**, remove the four screws as shown with a Phillips Head Screwdriver. Lift the Brush Cover off.
4. **For wide cleaning path models**, lift tab 1 and release the three latches in order 2-4 as marked. Lift the Brush Cover off.
5. Grasp Rotating Floor Brush at both ends and lift.
6. With Rotating Floor Brush removed, grasp old Drive Belt and remove from Motor Pulley. Discard old Drive Belt.
7. Place new Drive Belt over Motor Pulley and stretch other end over other Rotating Floor Brush in the space between the bristles.
8. Place ends of Rotating Floor Brush down into slots on sides.
9. Turn Rotating Floor Brush by hand several times in the direction of Motor Pulley. If properly installed, Drive Belt will center itself on Rotating Brush.
10. Reposition Brush Cover and screw or snap back into place. Check to be sure all screws and latches are secure.



### Need help?

#### Call:

1-800-237-7691

Mon-Fri: 8am to 10pm ET

Sat: 9am to 8pm ET

#### Visit:

[www.bissell.com/contact-us](http://www.bissell.com/contact-us)