



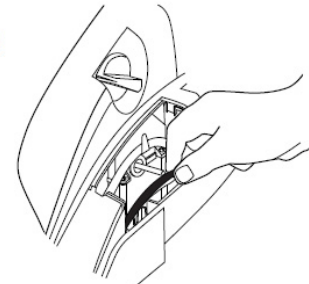
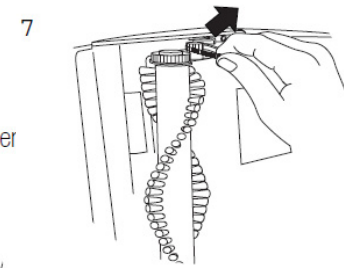
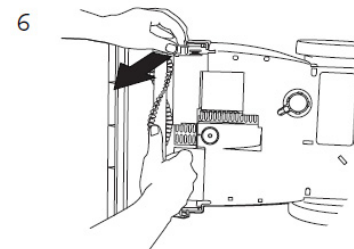
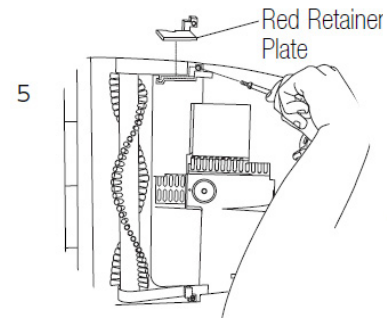
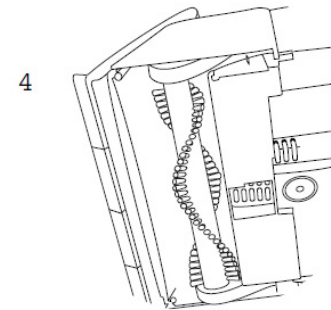
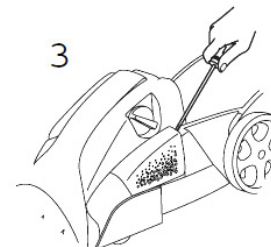
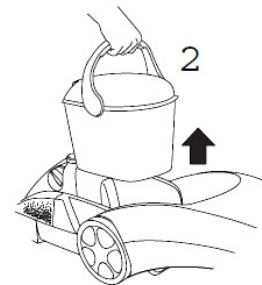
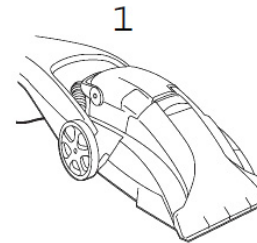
How to Repair Your Deep Cleaner's Pump and Belt

BISSELL Part # 015-0621



Remove Broken Pump and Belt

1. Step on Handle Release pedal and recline Handle on floor (see illustration).
2. Remove the Tank-in-Tank. Set aside (see illustration).
3. Remove the Belt Access Door located near the ReadyTools Dial. Insert a flathead screwdriver into the slot nearest the handle to gently pry off the door (see illustration).
4. Turn the machine onto its side so the belt access area is facing upward (see illustration).
5. On the bottom of the machine, near the belt access area, is a red Retainer Plate that holds the black brush arm and brush in place. Using a Phillips head screwdriver remove the screw that holds the red Retainer Plate in place. Set red Retainer Plate and Phillips head screw aside (see illustration).
6. Remove the black brush arm that holds the brush in place. Set the black brush arm aside (see illustration).
7. Remove the "toothed" Brush Belt from the Brush, then from the red Pump Pulley. Set the "toothed" Brush Belt and Brush aside.
8. Locate and remove the broken Pump Belt.



Need help?

Call:

1-800-237-7691

Mon-Fri: 8am to 10pm ET

Sat: 9am to 8pm ET

Visit:

www.bissell.com/contact-us

To help keep your product running its best, purchase genuine parts and accessories directly from BISSELL.
www.bissell.com

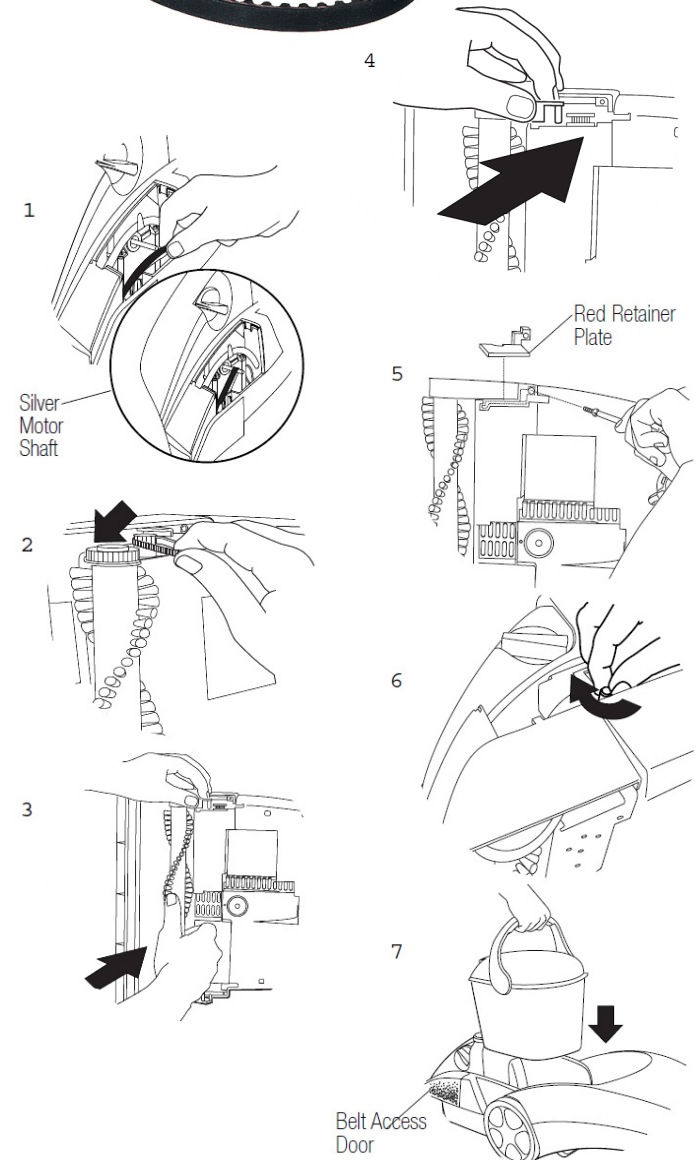


How to Repair Your Deep Cleaner's Pump and Belt

BISSELL Part # 015-0621

Install Replacement Pump

1. With the unit still on its side, loop one end of the replacement Pump Belt around the red Pump Pulley and the other end around the silver motor shaft (see illustration). Do not twist the replacement Pump Belt.
2. Re-install the "toothed" Brush Belt first onto the red Pump Pulley and then onto the "toothed" end of the Brush (see illustration).
3. Re-install the Brush into the base of the unit. (see illustration).
4. Place the black brush arm onto the Brush and slide black brush arm into original position (see illustration).
5. Re-install the red Retainer Plate and Phillips head screw (see illustration).
6. Using your finger, gently spin the replacement Pump Belt on the silver motor shaft (see illustration). If assembled correctly, the replacement Pump Belt should rotate freely around the silver motor shaft and drive pulley without obstruction. The Brush should also rotate freely when the silver motor shaft is turned.
7. Turn the machine right side up. Replace the Tank-in-Tank and Belt Access Door (see illustration).



Need help?

Call:

1-800-237-7691

Mon-Fri: 8am to 10pm ET

Sat: 9am to 8pm ET

Visit:

www.bissell.com/contact-us

To help keep your product running its best, purchase genuine parts and accessories directly from BISSELL.
www.bissell.com